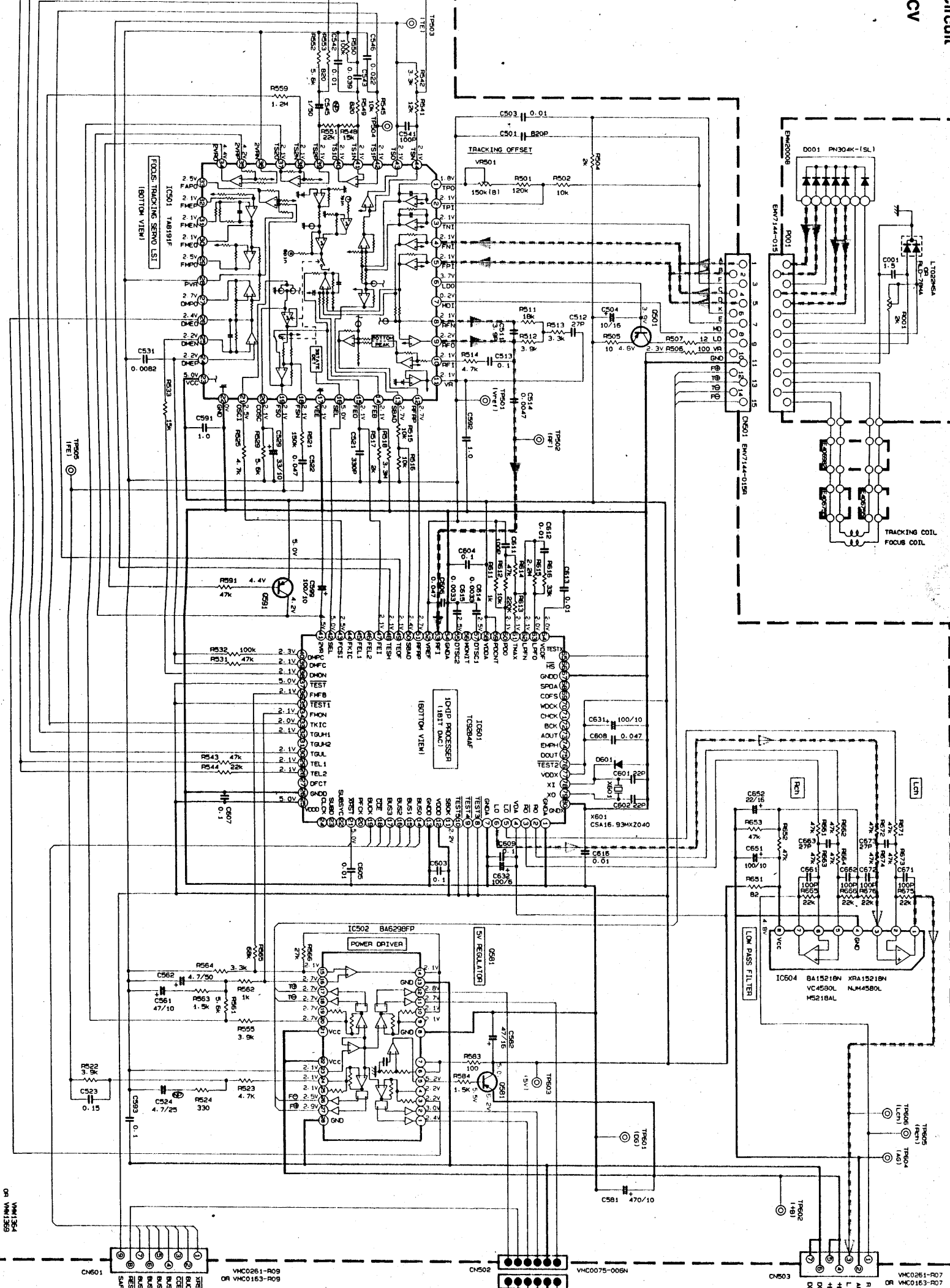


1. VOLTAGES ARE DC-MEASURED WITH A DIGITAL VOLT METER IN PLAYBACK.  
2. UNLESS OTHERWISE SPECIFIED, RESISTORS ARE 1/4W 1% CARBON RESISTOR.



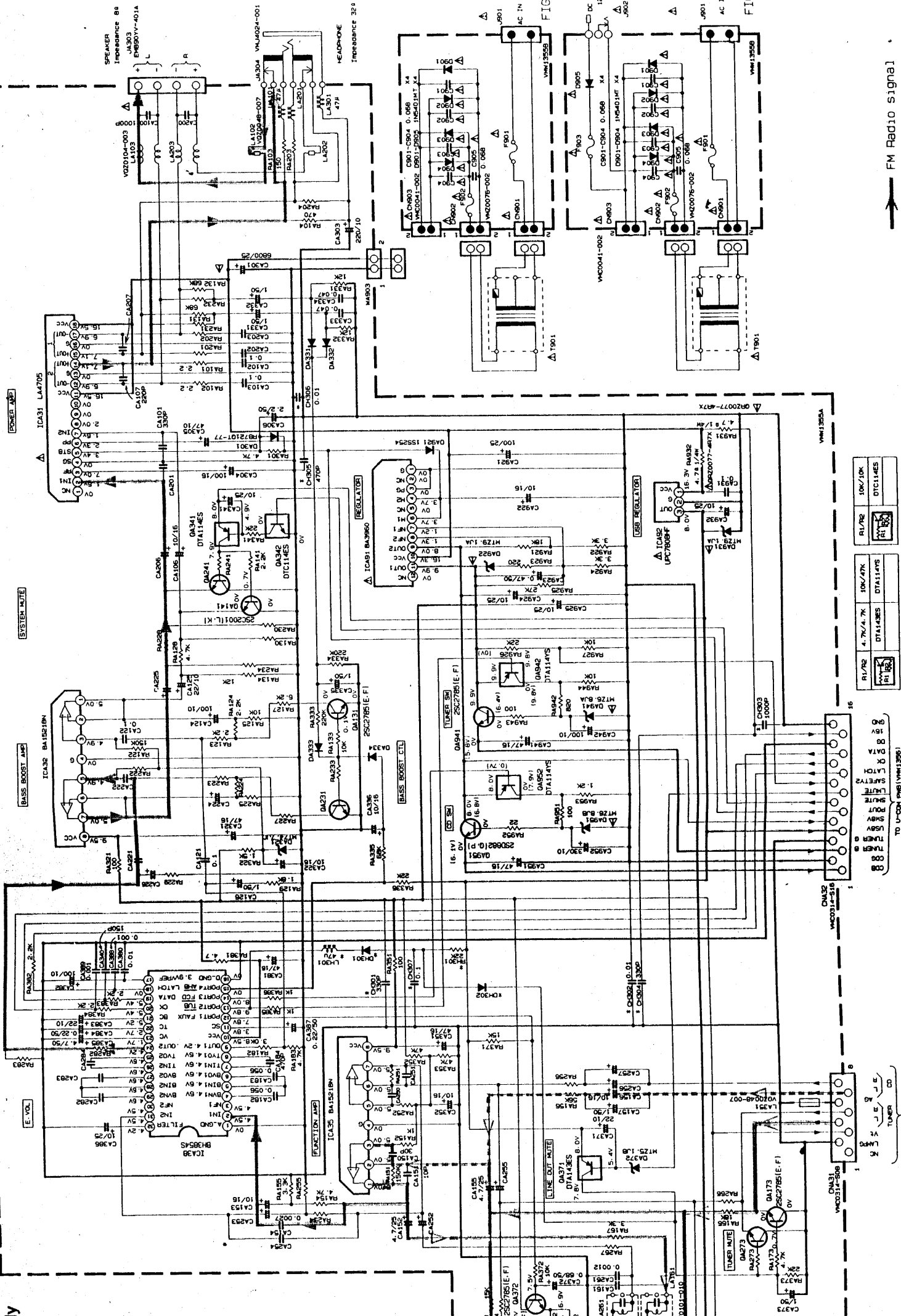
to page 85 (F/4)

to page 85 (E/2)

CN501: 1. TEST, 2. BLACK, 3. CDE, 4. B/S3, 5. B/S2, 6. B/S1, 7. SAFETY  
 VMC0261-R09 OR VMC0163-R09  
 CN502: 1. 100, 2. 100, 3. 100, 4. 100, 5. 100, 6. 100, 7. 100, 8. 100, 9. 100, 10. 100, 11. 100, 12. 100, 13. 100, 14. 100, 15. 100, 16. 100, 17. 100, 18. 100, 19. 100, 20. 100, 21. 100, 22. 100, 23. 100, 24. 100, 25. 100, 26. 100, 27. 100, 28. 100, 29. 100, 30. 100, 31. 100, 32. 100, 33. 100, 34. 100, 35. 100, 36. 100, 37. 100, 38. 100, 39. 100, 40. 100, 41. 100, 42. 100, 43. 100, 44. 100, 45. 100, 46. 100, 47. 100, 48. 100, 49. 100, 50. 100, 51. 100, 52. 100, 53. 100, 54. 100, 55. 100, 56. 100, 57. 100, 58. 100, 59. 100, 60. 100, 61. 100, 62. 100, 63. 100, 64. 100, 65. 100, 66. 100, 67. 100, 68. 100, 69. 100, 70. 100, 71. 100, 72. 100, 73. 100, 74. 100, 75. 100, 76. 100, 77. 100, 78. 100, 79. 100, 80. 100, 81. 100, 82. 100, 83. 100, 84. 100, 85. 100, 86. 100, 87. 100, 88. 100, 89. 100, 90. 100, 91. 100, 92. 100, 93. 100, 94. 100, 95. 100, 96. 100, 97. 100, 98. 100, 99. 100, 100. 100  
 VMC0075-006N  
 CN503: 1. R, 2. AS, 3. L, 4. B, 5. DG  
 VMC0261-R07 OR VMC0163-R07

to page 85 (W/1584 OR W/1586)





TO U-CON PWB (VM1356) (D/76)

R1/R2	4.7K/4.7K	10K/47K	10K/10K	10K/10K
	DTA114ES	DTA114YS	DTA114ES	DTA114ES

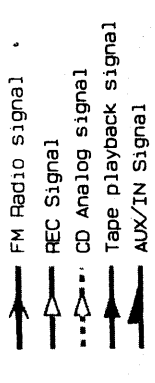
TO U-CON PWB (VM1356) (D/76)

E/EN	6.81K/VK	B
POWER SUPPLY	230V	230V
TUNER 1P (TRANS)	VT166L2-1P	VT166L2-1P
J801 (AC)	DMC0263-004	DMC0263-004
J902 (DC)	DM131B-001	DM131B-001
F801 (PR1)	1000MA	1000MA
F802 (PR2)	DMF31E2-001	DMF31E2-001
F803 (PR3)	DMF31E2-001	DMF31E2-001

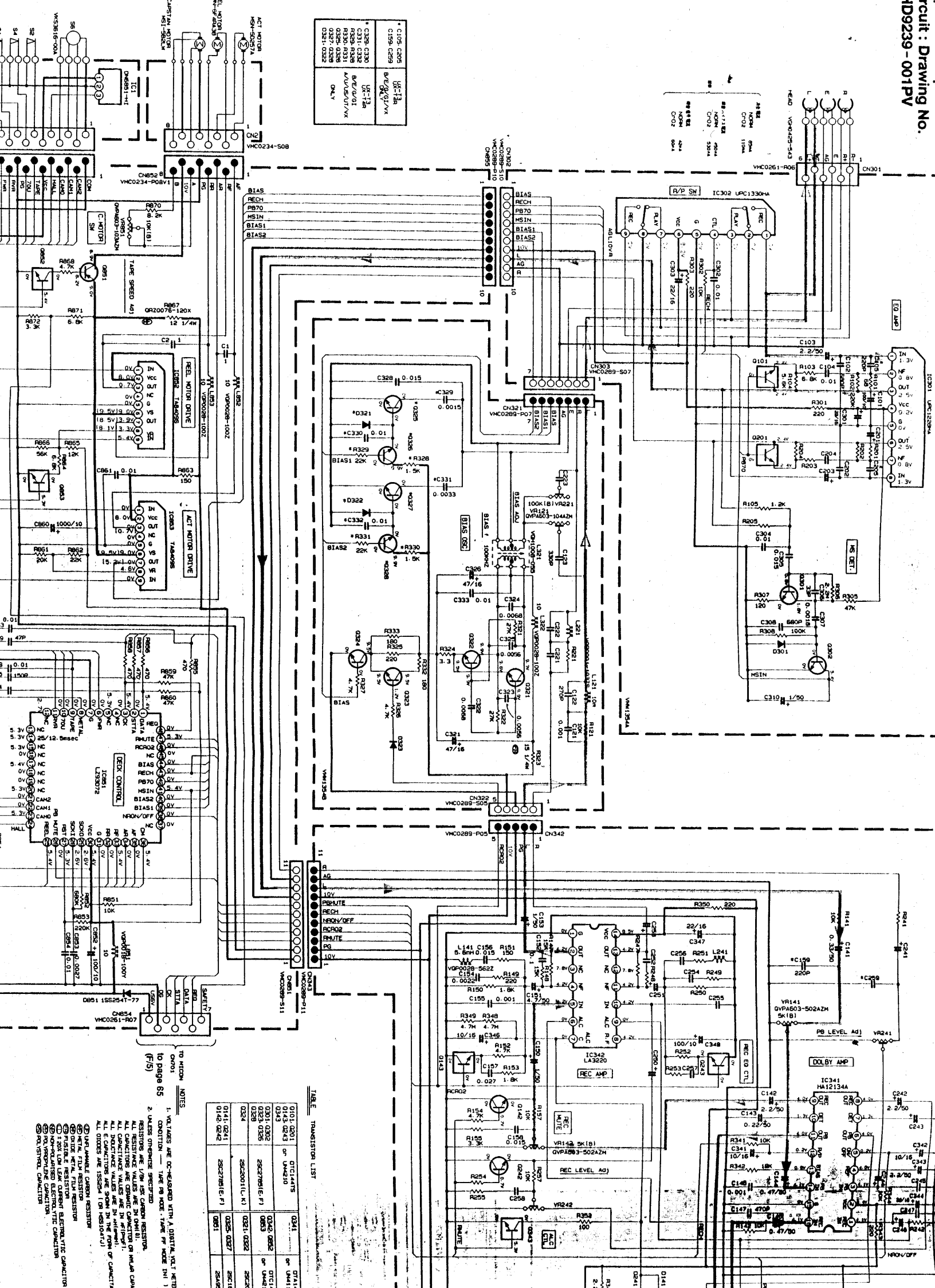
to page 65 (D/2)

to page 65 (D/7)

UNIVERSITY WITH A DIGITAL VOLT METER  
 3.3T 300V SIGNAL  
 RESISTORS ARE 1/4W 5% CARBON RESISTOR  
 CAPACITORS ARE IN OHMS UNLESS OTHERWISE SPECIFIED  
 CERAMIC CAPACITOR OR MILAR CAPACITOR  
 RESISTORS ARE OTHER FUNCTIONS







* C105, C205	UC-13b
C106, C206	B/E/R/S/V/VX
C107, C207	UK-13
C108, C208	B/E/R/S/V/VX
C109, C209	A/V/V/S/V/VX
C110, C210	ONLY

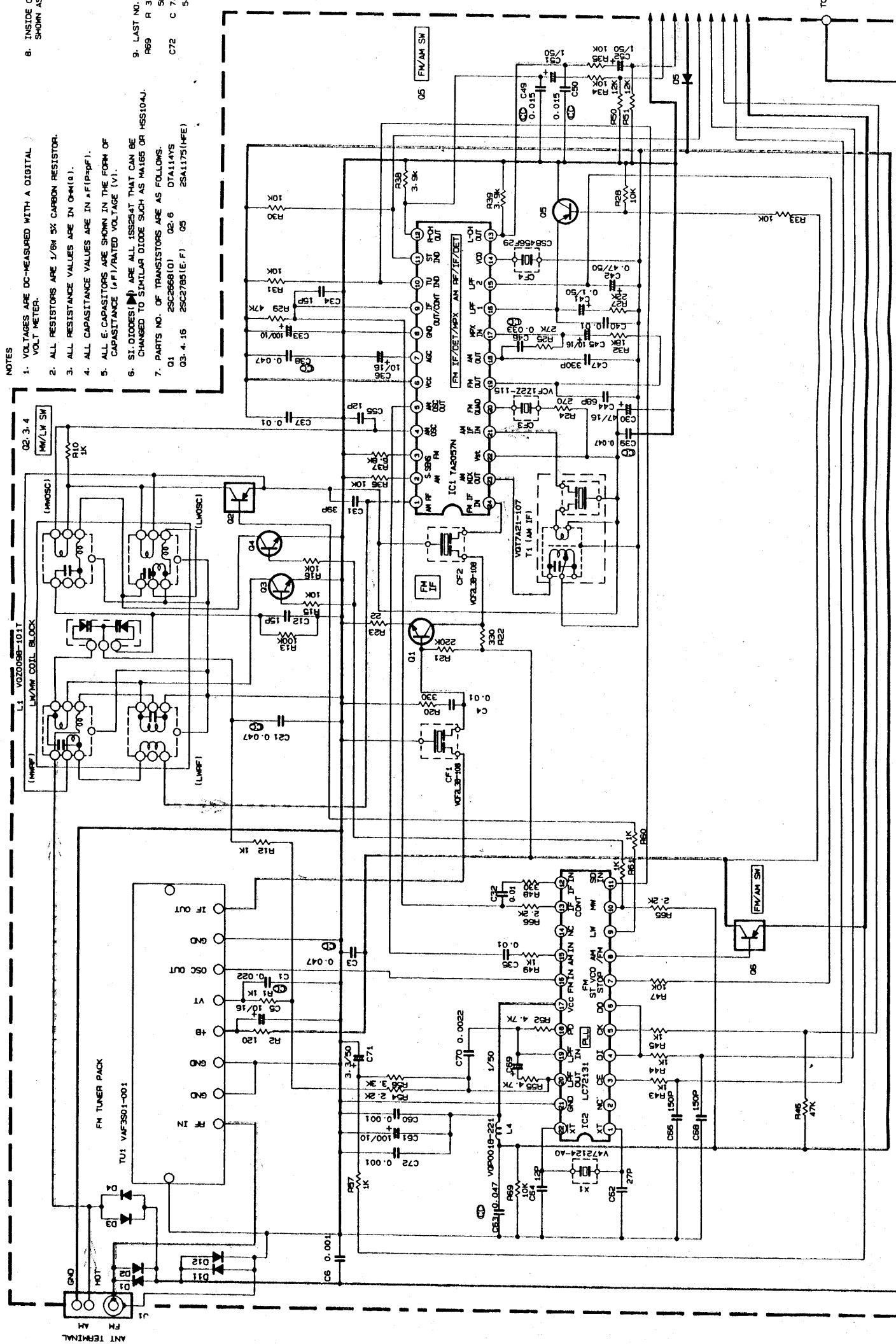
TABLE: TRANSISTOR LIST

Q101, Q201	Q102, Q202	Q103, Q203	Q104, Q204	Q105, Q205	Q106, Q206	Q107, Q207	Q108, Q208	Q109, Q209	Q110, Q210
DT11A	DT11A	DT11A	DT11A	DT11A	DT11A	DT11A	DT11A	DT11A	DT11A
DT11A	DT11A	DT11A	DT11A	DT11A	DT11A	DT11A	DT11A	DT11A	DT11A
DT11A	DT11A	DT11A	DT11A	DT11A	DT11A	DT11A	DT11A	DT11A	DT11A

- TO MICRO NOTES
1. VOLTAGES ARE DC-BEASURED WITH A DIGITAL MULTIMETER IN THE FOLLOWING CONDITION - TAPE REWIND, TAPE PAUSE (IN 1) (F/S)
  2. UNLESS OTHERWISE SPECIFIED, ALL RESISTANCE VALUES ARE IN OHMS UNLESS OTHERWISE SPECIFIED. ALL CAPACITANCE VALUES ARE IN PICO FARADS UNLESS OTHERWISE SPECIFIED. ALL DIMENSIONAL VALUES ARE IN MILLIMETERS UNLESS OTHERWISE SPECIFIED. ALL DIMENSIONS ARE GIVEN IN THE FORM OF CAPACITY UNLESS OTHERWISE SPECIFIED. ALL DIMENSIONS ARE GIVEN IN THE FORM OF CAPACITY UNLESS OTHERWISE SPECIFIED.

- ① UNPLANNED CARRIER RESISTOR
- ② METAL FILM RESISTOR
- ③ PRECISION RESISTOR
- ④ 1.0% LOW LEAK CURRENT ELECTROLYTIC CAPACITOR
- ⑤ NON-POLARIZED ELECTROLYTIC CAPACITOR
- ⑥ POLYESTER CAPACITOR

er Circuit: Drawing No. VHD9239-012TW (UX - T3VX)



NOTES

1. VOLTAGES ARE DC-MEASURED WITH A DIGITAL VOLT METER.
2. ALL RESISTORS ARE 1/8W 5% CARBON RESISTOR.
3. ALL RESISTANCE VALUES ARE IN OHMS (Ω).
4. ALL CAPACITANCE VALUES ARE IN PICO-FARADS (PF).
5. ALL ELECTROLYTIC CAPACITORS ARE SHOWN IN THE FORM OF CAPACITANCE (PF)/RATED VOLTAGE (V).
6. DIODES (D) ARE ALL 1SS264T THAT CAN BE CHANGED TO SIMILAR DIODE SUCH AS M4165 OR HSS104J.
7. PARTS NO. OF TRANSISTORS ARE AS FOLLOWS:  
 Q1 2SC2668(1) Q2-Q6 DTA114V'S  
 Q3-Q4 16 2SC2785(E,F) Q5 2SA1175(HFE)

Q2 3.4  
 MW/LW SW

L1 V020068-10-1T  
 LW/MW COIL BLOCK

FM TUNER PACK  
 TU1 VAF3501-001

ANT TERMINAL  
 FM SW

FM/AM SW

3.3K

10K

10K

10K

10K

10K

10K

10K

10K

10K

10K

10K

10K

10K

10K

10K

10K

10K

10K

10K

10K

9

8

7

6

5

4

3

2

1